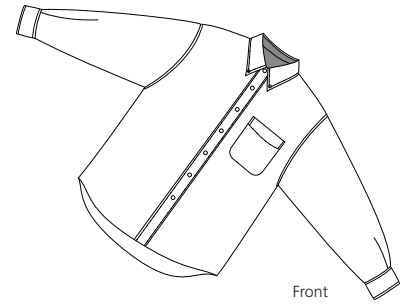
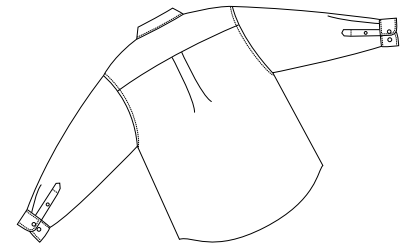


# Tall Long Sleeve Easy Care Shirt

PORT AUTHORITY®



Front



Back

## TLS608

- \* 4.5-ounce \* 55/45 cotton/poly \* Box back pleat
- \* Contrast color inside the back yoke and collar \* Dyed-to-match buttons
- \* Button-through sleeve plackets \* Adjustable cuffs \* Button-down collar
- \* Single patch pocket

### Care Instructions:

Machine wash warm with like colors.  
Only non chlorine bleach when needed.  
Tumble dry low.  
Warm iron if necessary.

### Finished Measurements in Inches

Size	LT	XLT	2XLT	3XLT	4XLT
Chest	24.5	26	27.5	29	30.5
Body	34.5	36	36.5	37.5	38
Sleeve	37	38.5	39.5	40.5	41.5
Collar	17	17.5	18	18.5	19
Pocket	5.25X6	5.25X6	5.25X6	5.5X6.25	5.5X6.25

Chest width measured 1" below arm hole. Body length from back neck seam to hem.  
Sleeve length from center back neck seam to hem. Collar measured by circumference. Pocket WxH.

### Colors

Black/ Light Stone	Navy/ Light Stone
Burgundy/ Light Stone	Red/ Light Stone
Dark Green/ Navy	Royal/ Light Stone
Light Blue/ Light Stone	Stone/ Stone
Light Stone/ Classic Navy*	White/Light Stone*
Mediterranean/ Mediterranean	

### Please Note:

Colors shown are approximate and for reference only. For closest match see PMS colors, or for exact match, returnable samples and grommeted samples are available.

\*No contrast color in back yoke

### Color Chart

Shirt Colors	Black	Burgundy	Dark Green	Light Blue	Light Stone	Mediterranean Blue
Textile PMS	19-4203TC	19-1617TC	19-5212TC	15-3920TC	13-0905TC	No Match
General PMS	Process Black	505C	5467C	283C	7527C	No Match
Shirt Colors	Navy	Red	Royal	Stone	White	
Textile PMS	19-3820TC	19-1762TC	19-3952TC		11-0601TC	
General PMS	533C	201C	661C		No Match	